

SS56C2M-4

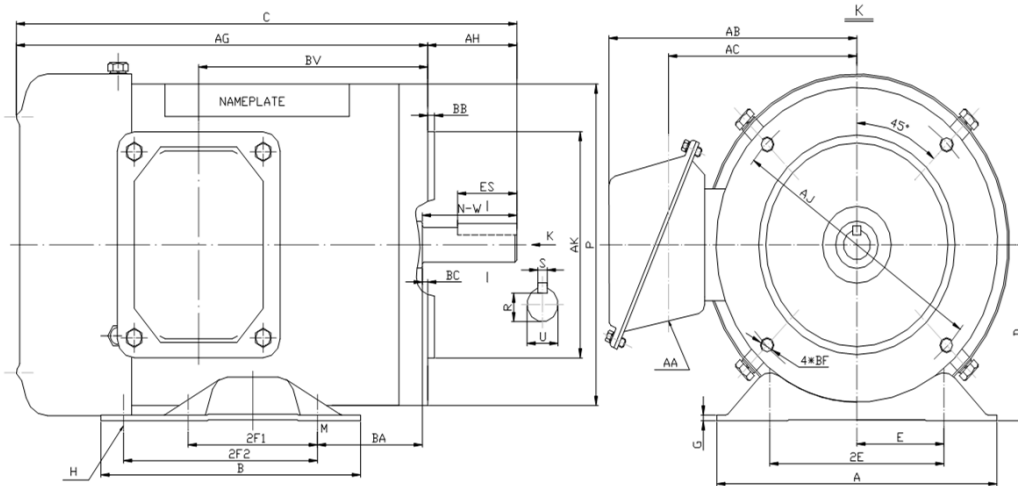
WASHDOWN DUTY MOTOR

HIGH EFFICIENCY / EISA COMPLIANT

STAINLESS STEEL CONSTRUCTION - C-FLANGE WITH FEET

TOTALLY ENCLOSED FAN COOLED - IP66 CONSTRUCTION

INVERTER DUTY 10:1 CT; 20:1 VT - NEMA MG1 PART 31



DIMENSIONS

HP	RPM	Frame	Mounting													
			A	B	C	D	G	H	E	2E	2F1	2F2	P	AK	AJ	AH
2	1800	56C	6.50	6.50	11.59	3.50	0.12	1.22*0.34	2.44	4.88	3.00	5.00	6.50	4.500	5.875	2.06

Mounting					Shaft Extension, Key Set					Conduit Box				Bearings		Mount
AG	BA	BB	BC	BF	U	R	S	ES	N-W	AA	AB	AC	BV	DE	ODE	
9.53	2.75	0.16	-0.19	4*3/8-16	0.625	0.517	0.188	1.41	1.88	0.86	5.75	4.25	5.30	6205	6205	F1

BEARING LUBRICATION: The bearings come lubricated with Mobile Polyrex EM Polyurea Grease.



Murphey Electric LLC

Serving Industry With The Best Products And Service Since 1928

411 Platte Ave.
York, NE. 68467

Phone: 402-362-3245
Toll Free / Fax: 888-226-4917



SS56C2M-4

WASHDOWN DUTY MOTOR
HIGH EFFICIENCY / EISA COMPLIANT
STAINLESS STEEL CONSTRUCTION - C-FLANGE WITH FEET
TOTALLY ENCLOSED FAN COOLED - IP66 CONSTRUCTION
INVERTER DUTY 10:1 CT; 20:1 VT - NEMA MG1 PART 31

PERFORMANCE DATA

HP	RPM	Frame	Voltage	Frequency (Hz)	Full Load S.F.	Insulation Class	NEMA Design	Slip (%)	NEMA Code	Enclosure Type	IP Rating	Max. Ambient
2	1750	56C	208-230/460	60	1.15	F	C	2.8	K	TEFC	66	40° C

Amps (460V)		Efficiency (%)				Power Factor			Torque (ft-lb)			DE Bearing	ODE Bearing	Connection	Weight (lbs.)
FLA	LRA	100%	75%	50%	Min.	100%	75%	50%	FLT	LRT %	BDT %				
3.0	25.0	84.0	83.0	80.0	81.5	0.78	0.66	0.52	5.9	285	300	6205	6205	9 Lead 2Y/Y	51

NAME PLATE

		WASHDOWN DUTY STAINLESS STEEL MOTOR				CONNECTION DIAGRAMS				
INVERTER DUTY 20:1 VT; 10:1 CT		HIGH EFFICIENCY EISA COMPLIANT				208 - 230V				
CAT NO: SS56C2M-4		FRAME 56C		PHASE 3						
HZ 60	S.F. 1.15	HZ 50	S.F. 1.2	ENCL TEFC	IP 66					
HP 2	RPM 1750	HP 1.5	RPM 1450	DUTY CONT	DES C					
VOLTS 208-230/460		VOLTS 190/380		AMB 40° C	INS F					
FLA 6.6 - 6 / 3	FLA 5.2/2.6		DE BEARING 6205							
CODE K	P.F. 0.78	CODE K	P.F. 0.85	ODE BEARING 6205						
EFF 84.0	MIN 81.5	EFF 81.5	MIN 78.5	LUB: Mobile Polyrex EM						
MOTOR WEIGHT 51 LBS		CONNECTION 9 Lead 2Y/Y		SER NO						
Special purpose motor designed for washdown applications and extremely corrosive environments. Hernando, Mississippi							CC 082A			

APPLICATIONS:

Applications include washdown applications, food processing, chemical processing, pharmaceuticals, poultry processing, meat processing, dairy applications, bakeries, snack foods, bottling and extremely corrosive environments.



Murphey Electric LLC

Serving Industry With The Best Products And Service Since 1928

411 Platte Ave.
 York, NE. 68467

Phone: 402-362-3245
 Toll Free / Fax: 888-226-4917