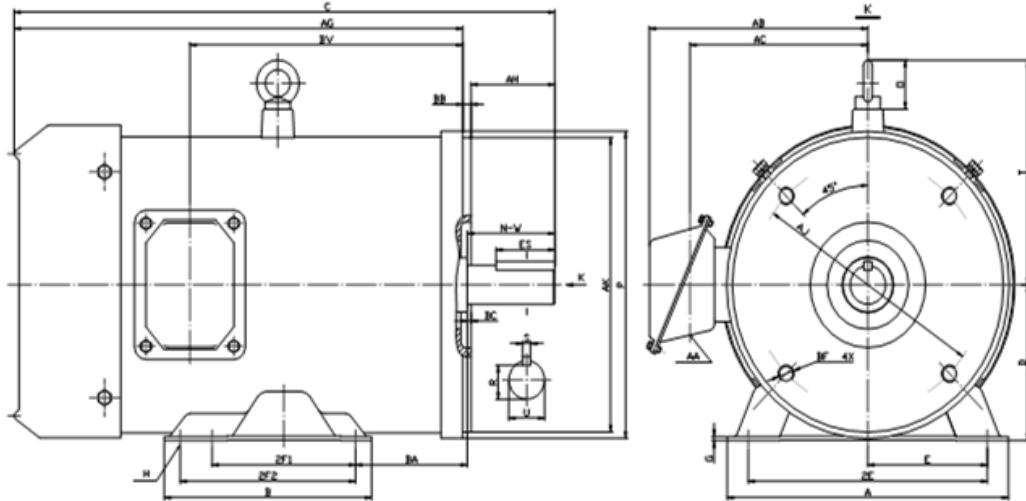


**SS215TC10M-4**

WASHDOWN DUTY MOTOR  
 HIGH EFFICIENCY / EISA COMPLIANT  
 STAINLESS STEEL CONSTRUCTION - C-FLANGE WITH FEET  
 TOTALLY ENCLOSED FAN COOLED - IP66 CONSTRUCTION  
 INVERTER DUTY 10:1 CT; 20:1 VT - NEMA MG1 PART 31



**DIMENSIONS**

HP	RPM	Frame	Mounting													
			A	B	C	D	G	H	E	2E	2F1	2F2	P	AK	AJ	AH
10	1800	215TC	9.60	8.10	21.50	5.25	0.16	0.41	4.25	8.50	5.50	7.00	10.08	8.500	7.250	3.12

Mounting					Shaft Extension, Key Set					Conduit Box				Bearings		Mount
AG	BA	BB	BC	BF	U	R	S	ES	N-W	AA	AB	AC	BV	DE	ODE	
18.13	4.25	0.25	0.25	4*3/8-16	1.375	1.201	0.312	2.41	3.38	0.94	7.70	6.20	12.15	6308	6208	F1

**BEARING LUBRICATION:** The bearings come lubricated with Mobile Polyrex EM Polyurea Grease.



***Murphey Electric LLC***

Serving Industry With The Best Products And Service Since 1928

411 Platte Ave.  
 York, NE. 68467

Phone: 402-362-3245  
 Toll Free / Fax: 888-226-4917



## SS215TC10M-4

**WASHDOWN DUTY MOTOR**  
**HIGH EFFICIENCY / EISA COMPLIANT**  
**STAINLESS STEEL CONSTRUCTION - C-FLANGE WITH FEET**  
**TOTALLY ENCLOSED FAN COOLED - IP66 CONSTRUCTION**  
**INVERTER DUTY 10:1 CT; 20:1 VT - NEMA MG1 PART 31**

### PERFORMANCE DATA

HP	RPM	Frame	Voltage	Frequency (Hz)	Full Load S.F.	Insulation Class	NEMA Design	Slip (%)	NEMA Code	Enclosure Type	IP Rating	Max. Ambient
10	1760	215TC	208-230/460	60	1.15	F	C	2.2	H	TEFC	66	40° C

Amps (460V)		Efficiency (%)				Power Factor			Torque (ft-lb)			DE Bearing	ODE Bearing	Connection	Weight (lbs.)
FLA	LRA	100%	75%	50%	Min.	100%	75%	50%	FLT	LRT %	BDT %	6308	6208	9 Lead 2Y/Y	210
12.2	81.0	91.7	92.0	91.0	90.2	0.83	0.76	0.65	29.3	250	270				

### NAME PLATE

		<b>WASHDOWN DUTY STAINLESS STEEL MOTOR</b>				<b>CONNECTION DIAGRAMS</b>	
<b>INVERTER DUTY 20:1 VT; 10:1 CT</b>				<b>HIGH EFFICIENCY EISA COMPLIANT</b>			
CAT NO: SS215TC10M-4		FRAME 215TC		PHASE 3			
HZ 60	S.F. 1.15	HZ 50	S.F. 1.2	ENCL TEFC	IP 66		
HP 10	RPM 1760	HP 7.5	RPM 1460	DUTY CONT	DES C		
VOLTS 208-230/460		VOLTS 190/380		AMB 40° C	INS F		
FLA 27 - 24.4 / 12.2		FLA 22/11		DE BEARING 6308			
CODE H	P.F. 0.83	CODE H	P.F. 0.87	ODE BEARING 6208			
EFF 91.7	MIN 90.2	EFF 90	MIN 88.5	LUB: Mobile Polyrex EM			
MOTOR WEIGHT 210 LBS		CONNECTION 9 Lead 2Y/Y		SER NO			
Special purpose motor designed for washdown applications and extremely corrosive environments. Hernando, Mississippi						CC 082A	

### APPLICATIONS:

Applications include washdown applications, food processing, chemical processing, pharmaceuticals, poultry processing, meat processing, dairy applications, bakeries, snack foods, bottling and extremely corrosive environments.



**Murphey Electric LLC**

Serving Industry With The Best Products And Service Since 1928

411 Platte Ave.  
 York, NE. 68467

Phone: 402-362-3245  
 Toll Free / Fax: 888-226-4917