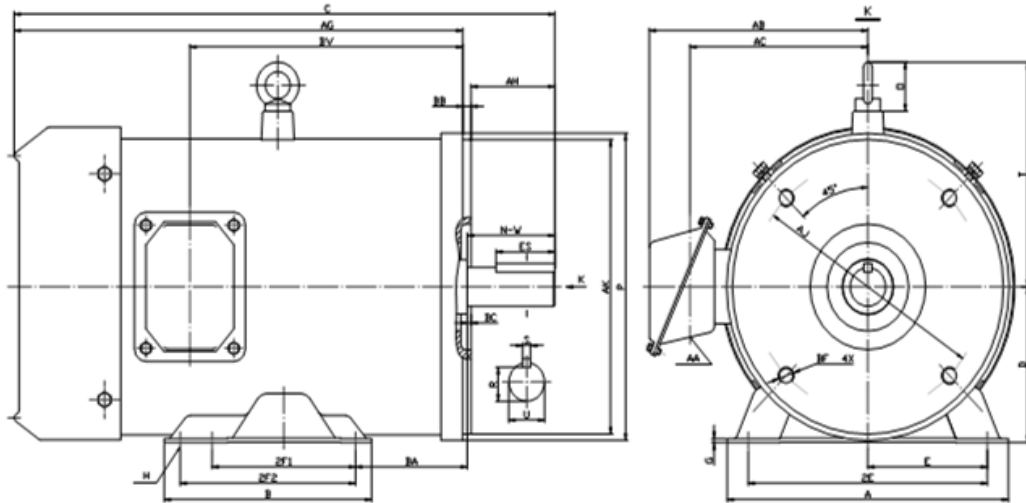


**SS182TC3M-2**

WASHDOWN DUTY MOTOR  
 HIGH EFFICIENCY / EISA COMPLIANT  
 STAINLESS STEEL CONSTRUCTION - C-FLANGE WITH FEET  
 TOTALLY ENCLOSED FAN COOLED - IP66 CONSTRUCTION  
 INVERTER DUTY 10:1 CT; 20:1 VT - NEMA MG1 PART 31



**DIMENSIONS**

HP	RPM	Frame	Mounting													
			A	B	C	D	G	H	E	2E	2F1	2F2	P	AK	AJ	AH
3	3600	182TC	8.80	6.50	17.00	4.50	0.12	0.71*0.47	3.75	7.50	4.50	5.50	8.85	8.500	7.250	2.62

Mounting					Shaft Extension, Key Set					Conduit Box				Bearings		Mount
AG	BA	BB	BC	BF	U	R	S	ES	N-W	AA	AB	AC	BV	DE	ODE	
14.13	3.50	0.25	0.12	4*3/8-16	1.125	0.986	0.250	1.78	2.75	0.94	7.00	5.30	8.60	6308	6306	F1

**BEARING LUBRICATION:** The bearings come lubricated with Mobile Polyrex EM Polyurea Grease.



***Murphey Electric LLC***

Serving Industry With The Best Products And Service Since 1928

411 Platte Ave.  
 York, NE. 68467

Phone: 402-362-3245  
 Toll Free / Fax: 888-226-4917



## SS182TC3M-2

**WASHDOWN DUTY MOTOR**  
**HIGH EFFICIENCY / EISA COMPLIANT**  
**STAINLESS STEEL CONSTRUCTION - C-FLANGE WITH FEET**  
**TOTALLY ENCLOSED FAN COOLED - IP66 CONSTRUCTION**  
**INVERTER DUTY 10:1 CT; 20:1 VT - NEMA MG1 PART 31**

### PERFORMANCE DATA

HP	RPM	Frame	Voltage	Frequency (Hz)	Full Load S.F.	Insulation Class	NEMA Design	Slip (%)	NEMA Code	Enclosure Type	IP Rating	Max. Ambient
3	3510	182TC	208-230/460	60	1.15	F	C	2.5	K	TEFC	66	40° C

Amps (460V)		Efficiency (%)				Power Factor			Torque (ft-lb)			DE Bearing	ODE Bearing	Connection	Weight (lbs.)
FLA	LRA	100%	75%	50%	Min.	100%	75%	50%	FLT	LRT%	BDT%				
4.1	32.0	86.5	87.0	86.0	84.0	0.85	0.75	0.63	4.4	270	290	6308	6306	9 Lead 2Y/Y	81

### NAME PLATE

		<b>WASHDOWN DUTY STAINLESS STEEL MOTOR</b>				<b>CONNECTION DIAGRAMS</b>		
<b>INVERTER DUTY 20:1 VT; 10:1 CT</b>				<b>HIGH EFFICIENCY EISA COMPLIANT</b>				
CAT NO: SS182TC3M-2		FRAME 182TC		PHASE 3				
HZ 60	S.F. 1.15	HZ 50	S.F. 1.2	ENCL TEFC	IP 66			
HP 3	RPM 3510	HP 2	RPM 2930	DUTY CONT	DES C			
VOLTS 208-230/460	VOLTS 190/380	AMB 40° C	INS F					
FLA 9 - 8.1 / 4.05	FLA 6.6/3.3	DE BEARING 6308						
CODE K	P.F. 0.85	CODE K	P.F. 0.91	ODE BEARING 6306				
EFF 86.5	MIN 84.0	EFF 84	MIN 81.5	LUB: Mobile Polyrex EM				
MOTOR WEIGHT 81 LBS	CONNECTION 9 Lead 2Y/Y		SER NO					
Special purpose motor designed for washdown applications and extremely corrosive environments. Hernando, Mississippi						CC 082A		

### APPLICATIONS:

Applications include washdown applications, food processing, chemical processing, pharmaceuticals, poultry processing, meat processing, dairy applications, bakeries, snack foods, bottling and extremely corrosive environments.



**Murphey Electric LLC**

Serving Industry With The Best Products And Service Since 1928

411 Platte Ave.  
York, NE. 68467

Phone: 402-362-3245  
Toll Free / Fax: 888-226-4917