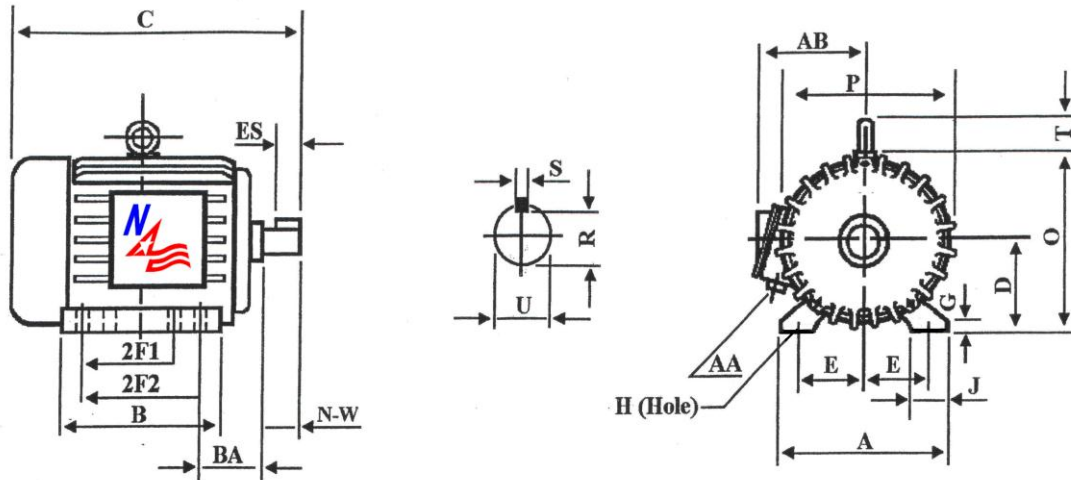


PEXP444T-100-6

Premium Efficient Explosion Proof Motor

Class I, Division I, Groups C & D and Class II, Division I, Groups E, F and G - Operating Temperature Code: T3C



DIMENSIONS – INCHES

A	B	C	D	E	2F1	2F2	G	H	J	O
22	20.5	45.5	11	18	14.5	16.5	1.4	0.8	3.4	23.5
P	R	S	T	U	ES	AA	AB	BA	N-W	Mount
24	2.88	0.875	3.5	3.375	6.91	3	19.7	7.5	8.5	F1

PERFORMANCE DATA

Three Phase – 60Hz - 208-230/460V – NEMA Design B – Max. Ambient: 40° C

HP	Speed	Frame	NEMA Code	Efficiency (%)			Power Factor			Torque (ft-lb)		
				100%	75%	50%	100%	75%	50%	FLT	BDT%	LRT%
100	1190	444T	G	95.0	95.4	94.8	87.0	84.8	79.5	441.3	200	125
Amps (460V)		DE Bearing	ODE Bearing	Insulation Class	Enclosure Type	Service Factor	Weight (lbs)					
FLA	LRA											
117.0	725	6318	6314	F	TEFC	1.15	1642					



ElectricalHelper

"Practical Straight Forward Electrical Wiring Solutions Since 1928."

For Fast Friendly Assistance
Call Us 888.226.4917
Hours 8:00AM - 5:00PM