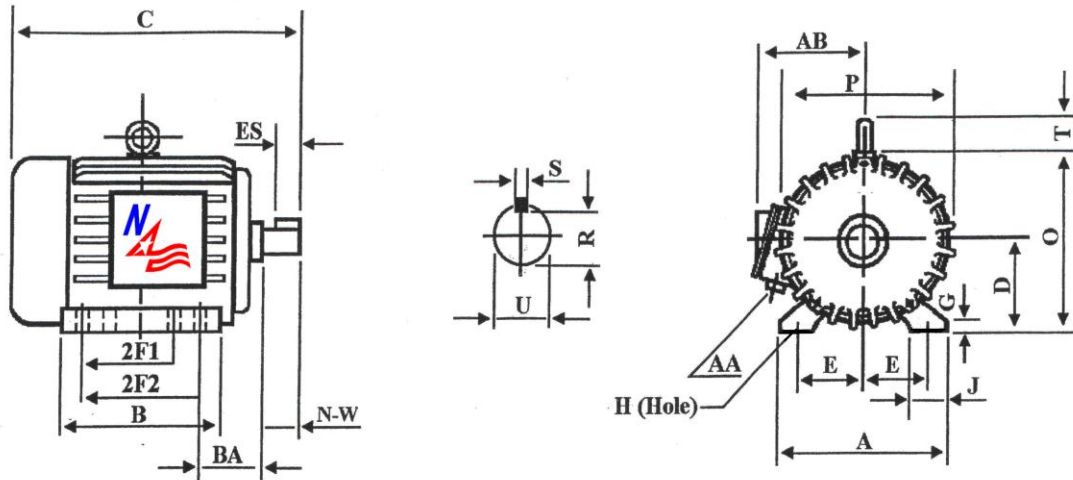


PEXP286T-20-6

Premium Efficient Explosion Proof Motor

Class I, Division I, Groups C & D and Class II, Division I, Groups E, F and G - Operating Temperature Code: T3C



DIMENSIONS – INCHES

A	B	C	D	E	2F1	2F2	G	H	J	O
14	14	29.6	7	11	9.5	11	0.9	0.5	2.8	15.2
P	R	S	T	U	ES	AA	AB	BA	N-W	Mount
15.8	1.591	0.5	2.4	1.875	3.28	1.5	14.3	4.75	4.62	F1

PERFORMANCE DATA

Three Phase – 60Hz - 208-230/460V – NEMA Design B – Max. Ambient: 40° C

HP	Speed	Frame	NEMA Code	Efficiency (%)			Power Factor			Torque (ft-lb)		
				100%	75%	50%	100%	75%	50%	FLT	BDT%	LRT%
20	1179	286T	G	91.7	91.5	89.0	81.0	79.3	72.0	89.1	200	135
Amps (460V)		DE Bearing	ODE Bearing	Insulation Class	Enclosure Type	Service Factor	Weight (lbs)					
FLA	LRA											
23.5	145	6310	6310	F	TEFC	1.15	520					



ElectricalHelper
 "Practical Straight Forward Electrical Wiring Solutions Since 1928."

For Fast Friendly Assistance
 Call Us 888.226.4917
 Hours 8:00AM - 5:00PM