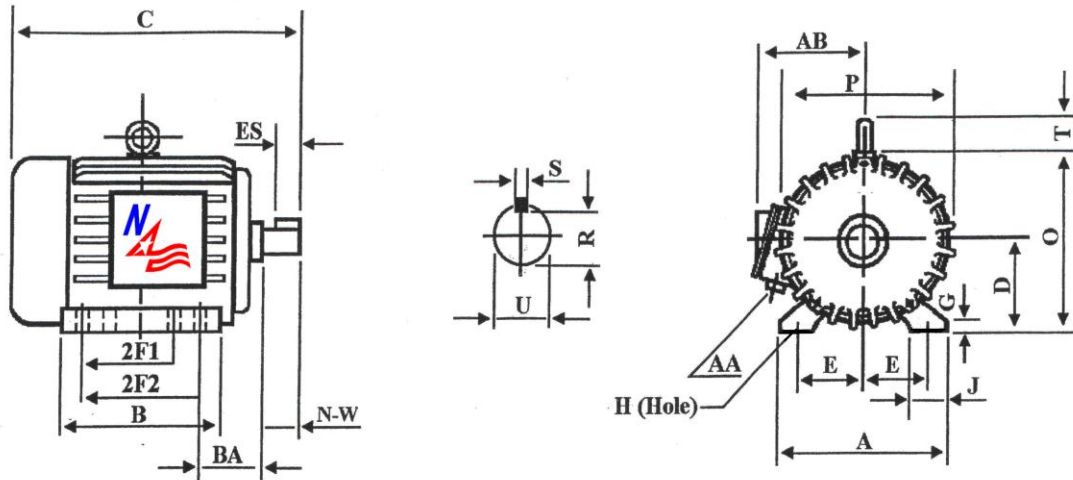


PEXP284T-15-6

Premium Efficient Explosion Proof Motor

Class I, Division I, Groups C & D and Class II, Division I, Groups E, F and G - Operating Temperature Code: T3C



DIMENSIONS – INCHES

| A | B | C | D | E | 2F1 | 2F2 | G | H | J | O |
|------|-------|------|-----|-------|------|-----|------|------|------|-------|
| 14 | 14 | 29.6 | 7 | 11 | 9.5 | 11 | 0.9 | 0.5 | 2.8 | 15.2 |
| P | R | S | T | U | ES | AA | AB | BA | N-W | Mount |
| 15.8 | 1.591 | 0.5 | 2.4 | 1.875 | 3.28 | 1.5 | 14.3 | 4.75 | 4.62 | F1 |

PERFORMANCE DATA

Three Phase – 60Hz - 208-230/460V – NEMA Design B – Max. Ambient: 40° C

| HP | Speed | Frame | NEMA Code | Efficiency (%) | | | Power Factor | | | Torque (ft-lb) | | |
|--------------|-------|------------|-------------|------------------|----------------|----------------|--------------|------|------|----------------|------|------|
| | | | | 100% | 75% | 50% | 100% | 75% | 50% | FLT | BDT% | LRT% |
| 15 | 1189 | 284T | G | 91.7 | 92.0 | 90.0 | 82.0 | 79.9 | 71.0 | 66.3 | 200 | 140 |
| Amps (460V) | | DE Bearing | ODE Bearing | Insulation Class | Enclosure Type | Service Factor | Weight (lbs) | | | | | |
| FLA | LRA | | | | | | | | | | | |
| 22.8 | 145 | 6310 | 6310 | F | TEFC | 1.15 | 476 | | | | | |



ElectricalHelper

"Practical Straight Forward Electrical Wiring Solutions Since 1928."

For Fast Friendly Assistance
Call Us 888.226.4917
Hours 8:00AM - 5:00PM