

**PE215T-15-2**

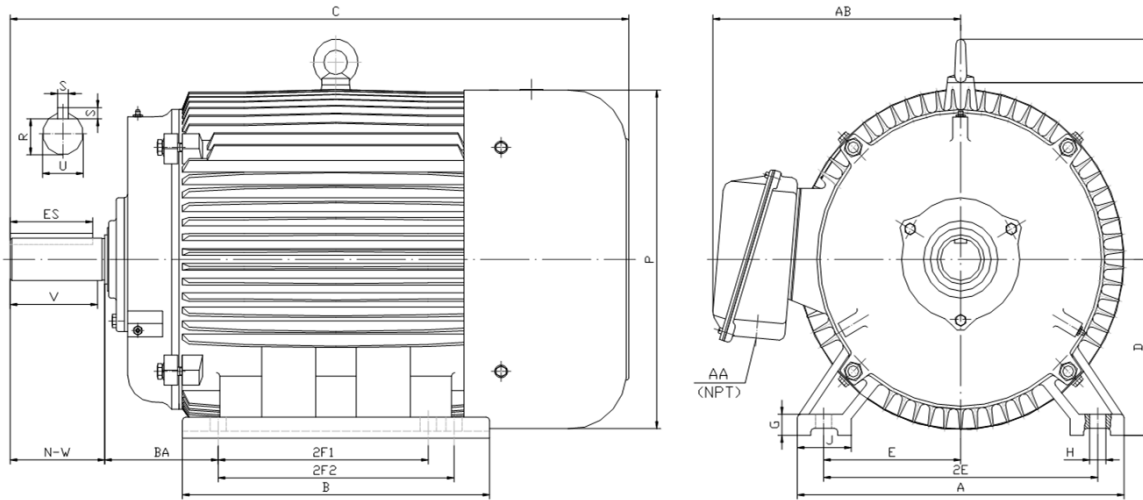
**GENERAL PURPOSE ELECTRIC MOTOR**

**NEMA PREMIUM EFFICIENCY**

**TOTALLY ENCLOSED FAN COOLED**

**INVERTER DUTY 10:1 CT; 20:1 VT - NEMA MG1 PART 31**

Factory Certified for T2B Class I, Division II, Groups A,B,C & D and Class II, Division II, Groups F & G



**DIMENSIONS**

HP	RPM	Frame	MOUNTING														
			A	B	C	D	G	H	J	E	2E	2F1	2F2	O	P	T	BA
15	3600	215T	11.00	9.40	20.40	5.25	0.70	0.41	2.40	4.25	8.50	5.50	7.00	11.20	11.60	1.90	3.50

Shaft Extension, Key Set						Conduit Box		Bearings		Mount
U	V	R	S	ES	N-W	AA	AB	DE	ODE	
1.375	3.12	1.201	0.312	2.41	3.38	1.00	9.00	6308-ZZ	6308-ZZ	F1

**BEARING LUBRICATION:** The bearings come lubricated with Mobil Polyrex EM Polyurea Grease.



**Electrical Helper**

"Practical Straight Forward Electric Wiring Solutions Since 1928."

For Fast & Friendly  
Assistance Call Us  
888-226-4917

Hours 8:00AM-5:00PM CST



**PE215T-15-2**

**GENERAL PURPOSE ELECTRIC MOTOR**

**NEMA PREMIUM EFFICIENCY**

**TOTALLY ENCLOSED FAN COOLED**

**INVERTER DUTY 10:1 CT; 20:1 VT - NEMA MG1 PART 31**

Factory Certified for T2B Class I, Division II, Groups A,B,C & D and Class II, Division II, Groups F & G

**PERFORMANCE DATA**

HP	RPM	Frame	Voltage	Frequency (Hz)	Full Load S.F.	Insulation Class	NEMA Design	Slip (%)	NEMA Code	Enclosure Type	IP Rating	Max. Ambient
15	3510	215T	208-230/460	60	1.15	F	B	2.5	G	TEFC	55	40° C

Amps (460V)		Efficiency (%)				Power Factor			Torque (ft-lb)			DE Bearing	ODE Bearing	Connection	Weight (lbs.)
FLA	LRA	100%	75%	50%	Min.	100%	75%	50%	FLT	LRT %	BDT %				
17.0	116	91.0	91.0	90.5	89.5	0.910	0.890	0.830	22.4	170	280	6308-ZZ	6308-ZZ	9 Lead 2Y/Y	172

**NAME PLATE**

													<b>CONNECTION DIAGRAMS</b>													
<b>INVERTER DUTY 20:1 VT; 10:1 CT</b>										<b>208 - 230V</b>																
CAT NO:		PE215T-15-2				FRAME		215T		PHASE		3														
HZ		60		S.F.		1.15		HZ		50		S.F.		1.0		ENCL		TEFC		IP		55				
HP		15		RPM		3510		HP		15		RPM		2880		DUTY		CONT		DES		B				
VOLTS		208-230/460				VOLTS		190/380		AMB		40° C		INS		F										
FLA		37.6 - 34 / 17				FLA		42/21		DE BEARING				6308-ZZ												
CODE		G		P.F.		0.91		CODE		E		P.F.		0.92		ODE BEARING				6308-ZZ						
EFF		91.0		MIN		89.5		EFF		89.5		MIN		87.5		LUB: Mobil Polyrex EM										
MOTOR WEIGHT		172		LBS		CONNECTION				9 Lead 2Y/Y				SER NO												
General purpose use on industrial machinery installed in damp, dusty or dirty environments. Hernando, Mississippi																CC 082A										
						<b>460V</b>																				

**APPLICATIONS:**

General purpose use on pumps, fans, blowers, compressors, conveyors, material handling and other industrial machinery installed in damp, dusty or dirty environments.



**Electrical Helper**

"Practical Straight Forward Electric Wiring Solutions Since 1928."

For Fast & Friendly Assistance Call Us  
 888-226-4917  
 Hours 8:00AM-5:00PM CST