

**PE184T-5-2**

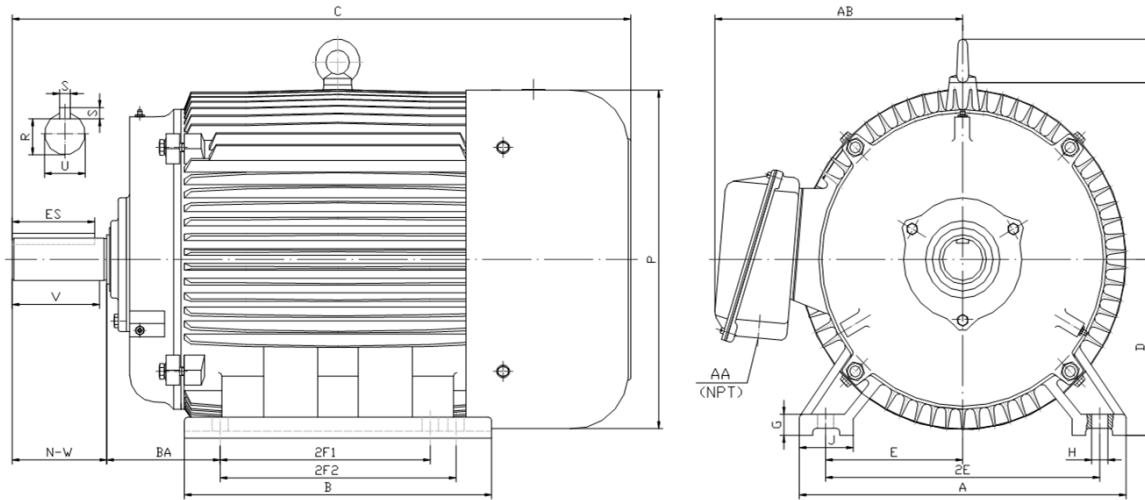
**GENERAL PURPOSE ELECTRIC MOTOR**

**NEMA PREMIUM EFFICIENCY**

**TOTALLY ENCLOSED FAN COOLED**

**INVERTER DUTY 10:1 CT; 20:1 VT - NEMA MG1 PART 31**

Factory Certified for T2B Class I, Division II, Groups A,B,C & D and Class II, Division II, Groups F & G



**DIMENSIONS**

HP	RPM	Frame	MOUNTING														
			A	B	C	D	G	H	J	E	2E	2F1	2F2	O	P	T	BA
5	3600	184T	9.50	8.30	17.10	4.50	0.60	0.41	2.00	3.75	7.50	4.50	5.50	9.10	8.70	1.60	2.75

Shaft Extension, Key Set						Conduit Box		Bearings		Mount
U	V	R	S	ES	N-W	AA	AB	DE	ODE	
1.125	2.50	0.986	0.250	1.78	2.75	0.75	7.50	6306-ZZ	6306-ZZ	F1

**BEARING LUBRICATION:** The bearings come lubricated with Mobil Polyrex EM Polyurea Grease.



**Electrical Helper**

"Practical Straight Forward Electric Wiring Solutions Since 1928."

For Fast & Friendly Assistance Call Us  
888-226-4917

Hours 8:00AM-5:00PM CST



**PE184T-5-2**

**GENERAL PURPOSE ELECTRIC MOTOR**

**NEMA PREMIUM EFFICIENCY**

**TOTALLY ENCLOSED FAN COOLED**

**INVERTER DUTY 10:1 CT; 20:1 VT - NEMA MG1 PART 31**

Factory Certified for T2B Class I, Division II, Groups A,B,C & D and Class II, Division II, Groups F & G

**PERFORMANCE DATA**

HP	RPM	Frame	Voltage	Frequency (Hz)	Full Load S.F.	Insulation Class	NEMA Design	Slip (%)	NEMA Code	Enclosure Type	IP Rating	Max. Ambient
5	3515	184T	208-230/460	60	1.15	F	B	2.4	J	TEFC	55	40° C

Amps (460V)		Efficiency (%)				Power Factor			Torque (ft-lb)			DE Bearing	ODE Bearing	Connection	Weight (lbs.)
FLA	LRA	100%	75%	50%	Min.	100%	75%	50%	FLT	LRT %	BDT %				
5.8	46	88.5	88.0	86.5	86.5	0.900	0.850	0.750	7.5	170	285	6306-ZZ	6306-ZZ	9 Lead 2Y/Y	110

**NAME PLATE**

													<b>CONNECTION DIAGRAMS</b>		
<b>INVERTER DUTY 20:1 VT; 10:1 CT</b>										<b>208 - 230V</b>					
CAT NO: PE184T-5-2		FRAME 184T		PHASE 3											
HZ 60	S.F. 1.15	HZ 50	S.F. 1.0	ENCL TEFC	IP 55										
HP 5	RPM 3515	HP 5	RPM 2900	DUTY CONT	DES B										
VOLTS 208-230/460		VOLTS 190/380		AMB 40° C	INS F										
FLA 12.8 - 11.6 / 5.8	FLA 14/7		DE BEARING 6306-ZZ												
CODE J	P.F. 0.90	CODE G	P.F. 0.92	ODE BEARING 6306-ZZ											
EFF 88.5	MIN 86.5	EFF 86.5	MIN 84	LUB: Mobil Polyrex EM											
MOTOR WEIGHT 110 LBS	CONNECTION 9 Lead 2Y/Y		SER NO							<b>460V</b>					
General purpose use on industrial machinery installed in damp, dusty or dirty environments. Hernando, Mississippi										CC 082A					

**APPLICATIONS:**

General purpose use on pumps, fans, blowers, compressors, conveyors, material handling and other industrial machinery installed in damp, dusty or dirty environments.



**Electrical Helper**

“Practical Straight Forward Electric Wiring Solutions Since 1928.”

For Fast & Friendly Assistance Call Us  
 888-226-4917  
 Hours 8:00AM-5:00PM CST