



**PE145T-3-2**

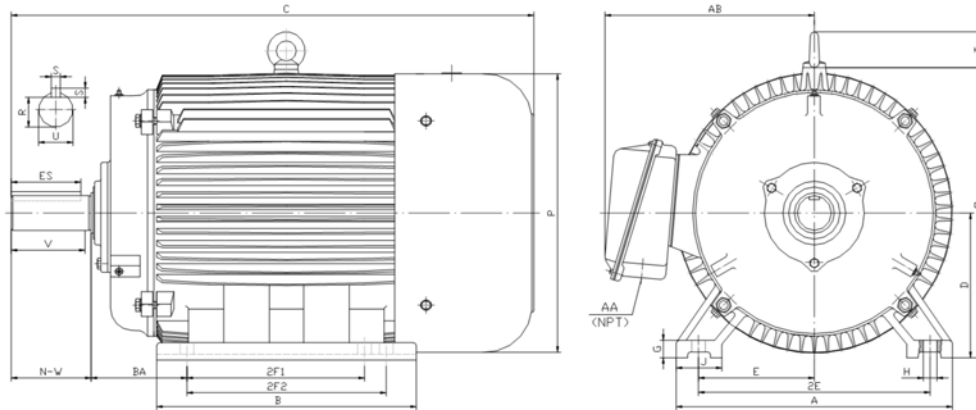
**GENERAL PURPOSE ELECTRIC MOTOR**

**NEMA PREMIUM EFFICIENCY**

**TOTALLY ENCLOSED FAN COOLED**

**INVERTER DUTY 10:1 CT; 20:1 VT - NEMA MG1 PART 31**

**Factory Certified for T2B Class I, Division II, Groups A,B,C & D and Class II, Division II, Groups F & G**



**DIMENSIONS**

HP	RPM	Frame	MOUNTING														
			A	B	C	D	G	H	J	E	2E	2F1	2F2	O	P	T	BA
3	3600	145T	7	7.2	14.6	3.5	0.5	0.34	1.4	2.75	5.5	4	5	7.1	6.95	NA	2.25

Shaft Extension, Key Set						Conduit Box		Bearings		Mount
U	V	R	S	ES	N-W	AA	AB	DE	ODE	
0.875	2	0.771	0.188	1.41	2.25	0.75	6.1	6205-ZZ	6205-ZZ	F1

**BEARING LUBRICATION:** The bearings come lubricated with Mobil Polyrex EM Polyurea Grease.



**Electrical Helper.org**

For All Your Electric Needs Since 1928  
411 N Platte Ave. York, NE. 68467



**AC-DC MOTORS :: SALES & SERVICE  
REWINDING :: CUSTOM CONTROL PANEL**

Kelly MacMillan  
Office Ph: 888-226-4917  
Fax: 888-226-4917  
Cell: 402-679-1579  
E-Mail: [kelly@electricalhelper.com](mailto:kelly@electricalhelper.com)





## PE145T-3-2

GENERAL PURPOSE ELECTRIC MOTOR

NEMA PREMIUM EFFICIENCY

TOTALLY ENCLOSED FAN COOLED

INVERTER DUTY 10:1 CT; 20:1 VT - NEMA MG1 PART 31

Factory Certified for T2B Class I, Division II, Groups A,B,C & D and Class II, Division II, Groups F & G

### PERFORMANCE DATA

HP	RPM	Frame	Voltage	Frequency (Hz)	Full Load S.F.	Insulation Class	NEMA Design	Slip (%)	NEMA Code	Enclosure Type	IP Rating	Max. Ambient
3	3480	145T	208-230/460	60	1.15	F	B	3.3	K	TEFC	55	40 °C

Amps (460V)		Efficiency (%)			Power Factor			Torque (ft-lb)			DE Bearing	ODE Bearing	Connection	Weight (lbs.)
FLA	LRA	100%	75%	50%	100%	75%	50%	FLT	LRT %	BDT %				
4.1	32	86.5	86.0	84.0	0.80	0.74	0.61	4.55	200	300	6205-ZZ	6205-ZZ	9 Lead 2Y/Y	54

### NAME PLATE

		AC INDUCTION MOTOR INVERTER DUTY 20:1 VT; 10:1 CT								CONNECTION DIAGRAMS							
CAT NO.		PE145T-3-2				FRAME		145T		PHASE		3					
HZ	60	S.F.	1.15	HZ	50	S.F.	1.0	ENCL	TEFC	IP	55						
HP	3	RPM	3480	HP	3	RPM	2840	DUTY CONT	DES		B						
VOLTS		208-230/460			VOLTS		190/380		AMB	40 °C		INS F					
AMPS		9 - 8.2 / 4.1			AMPS		9.6/4.8		DE BRG		6205-ZZ						
CODE		K		P.F.	0.80		CODE	F		P.F.	0.84		ODE BRG 6205-ZZ				
EFF		86.5	MIN	84.0		EFF	84.5	MIN	82.0		LUB: Mobil Polyrex EM						
MOTOR WEIGHT		54		LBS		CONNECTION			9 Lead 2Y/Y		SER NO						
General purpose use on industrial machinery installed in damp, dusty or dirty environments. Hernando, Mississippi												CC082A					
						208-230V 						460V 					

### APPLICATIONS:

General purpose use on pumps, fans, blowers, compressors, conveyors, material handling and other industrial machinery installed in damp, dusty or dirty environments.



**Electrical Helper.org**

For All Your Electric Needs Since 1928

411 N Platte Ave. York, NE. 68467

**AC-DC MOTORS :: SALES & SERVICE  
REWINDING :: CUSTOM CONTROL PANEL**

Kelly MacMillan

Office Ph: 888-226-4917

Fax: 888-226-4917

Cell: 402-679-1579

E-Mail: [kelly@electricalhelper.com](mailto:kelly@electricalhelper.com)

