



## PE254T-15-4

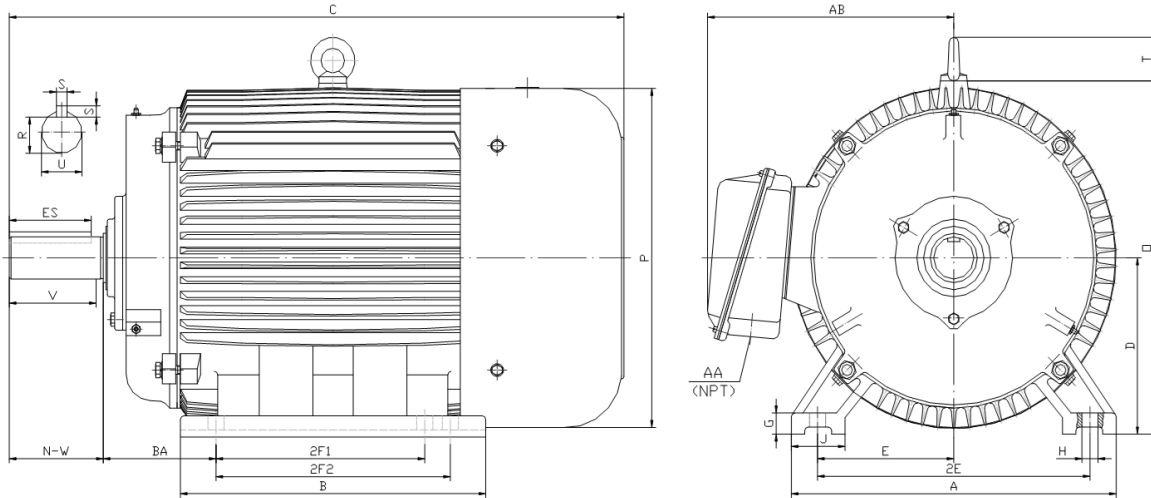
GENERAL PURPOSE ELECTRIC MOTOR

NEMA PREMIUM EFFICIENCY

TOTALLY ENCLOSED FAN COOLED

INVERTER DUTY 10:1 CT; 20:1 VT - NEMA MG1 PART 31

Factory Certified for T2B Class I, Division II, Groups A,B,C & D and Class II, Division II, Groups F & G



### DIMENSIONS

HP	RPM	Frame	MOUNTING														
			A	B	C	D	G	H	J	E	2E	2F1	2F2	O	P	T	BA
15	1800	254T	13.00	12.20	23.20	6.25	0.70	0.53	2.75	5.00	10.00	8.25	0.00	13.20	12.80	2.20	4.25

Shaft Extension, Key Set						Conduit Box		Bearings		Mount
U	V	R	S	ES	N-W	AA	AB	DE	ODE	
1.625	3.75	1.416	0.375	2.91	4.00	1.25	10.30	6309	6309	F1

**BEARING LUBRICATION:** The bearings come lubricated with Mobil Polyrex EM Polyurea Grease. It is recommended that you add some additional lubrication when the motor is installed.

Three options (brands) for suitable lubrication include, but are not limited to, the following:

- 1.) Mobil Polyrex EM
- 2.) Citco Polyurea MP
- 3.) Conoco Phillips Polytac EP



**ElectricalHelper.org**

For All Your Electric Needs Since 1928

411 N Platte Ave. York, NE. 68467

**AC-DC MOTORS :: SALES & SERVICE**  
**REWINDING :: CUSTOM CONTROL PANEL**

Kelly MacMillan

Office PH: 888.226.4917 Ext. 102

Fax: 888.226.4917

Cell: 402.679.1579

E-Mail: [kelly@electricalhelper.com](mailto:kelly@electricalhelper.com)



**PE254T-15-4**

**GENERAL PURPOSE ELECTRIC MOTOR**

**NEMA PREMIUM EFFICIENCY**

**TOTALLY ENCLOSED FAN COOLED**

**INVERTER DUTY 10:1 CT; 20:1 VT - NEMA MG1 PART 31**

Factory Certified for T2B Class I, Division II, Groups A,B,C & D and Class II, Division II, Groups F & G

**PERFORMANCE DATA**

HP	RPM	Frame	Voltage	Frequency (Hz)	Full Load S.F.	Insulation Class	NEMA Design	Slip (%)	NEMA Code	Enclosure Type	IP Rating	Max. Ambient
15	1770	254T	208-230/460	60	1.15	F	B	1.7	G	TEFC	55	40° C

Amps (460V)		Efficiency (%)				Power Factor			Torque (ft-lb)			DE Bearing	ODE Bearing	Connection	Weight (lbs.)
FLA	LRA	100%	75%	50%	Min.	100%	75%	50%	FLT	LRT %	BDT %				
18.2	116	92.4	92.2	92.0	91.0	0.810	0.760	0.660	44.8	170	260	6309	6309	12 Lead 2Δ/Δ	275

**NAME PLATE**

<p>INVERTER DUTY 20:1 VT; 10:1 CT</p>										CONNECTION DIAGRAMS																													
CAT NO:		PE254T-15-4			FRAME			254T		PHASE		3																											
HZ		60		S.F.		1.15		HZ		50		S.F.					1.0		ENCL		TEFC		IP		55														
HP		15		RPM		1770		HP		15		RPM		1460		DUTY		CONT		DES		B																	
VOLTS		208-230/460				VOLTS		190/380		AMB		40° C		INS		F		FLA		37.2 - 36.4 / 18.2		FLA					45/22.5		DE BEARING		6309								
CODE		G		P.F.		0.81		CODE		F		P.F.		0.83		ODE BEARING		6309		EFF		92.4		MIN		91.0		EFF		90.4		MIN		89		LUB:		Mobil Polyrex EM	
MOTOR WEIGHT		275		LBS		CONNECTION			12 Lead 2Δ/Δ			SER NO																											
<p>General purpose use on industrial machinery installed in damp, dusty or dirty environments.</p> <p>CC 082A</p>																																							

**APPLICATIONS:**

General purpose use on pumps, fans, blowers, compressors, conveyors, material handling and other industrial machinery installed in damp, dusty or dirty environments.



**ElectricalHelper.org**

For All Your Electric Needs Since 1928  
411 N Platte Ave. York, NE. 68467

**AC-DC MOTORS :: SALES & SERVICE**  
**REWINDING :: CUSTOM CONTROL PANEL**

**Kelly MacMillan**

**Office PH: 888.226.4917 Ext. 102**

**Fax: 888.226.4917**

**Cell: 402.679.1579**

**E-Mail: kelly@electricalhelper.com**