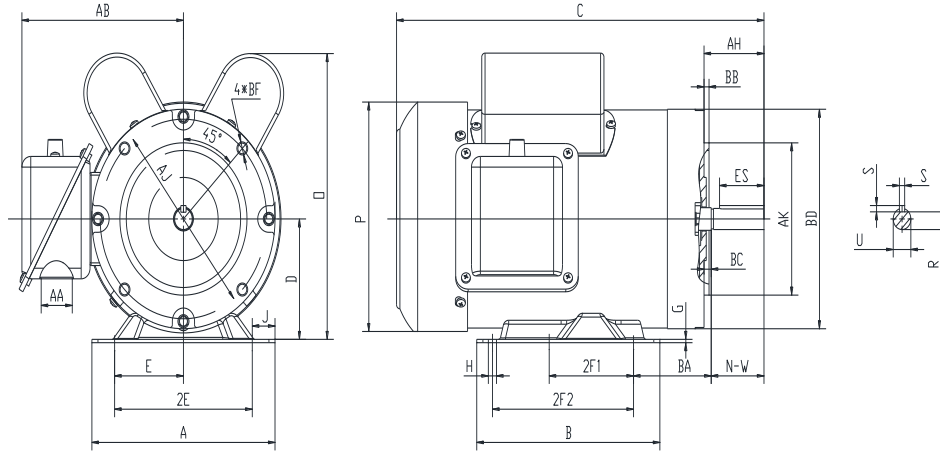




F56CH2S4C-MO

**FARM DUTY ELECTRIC MOTOR
 HIGH STARTING TORQUE - MANUAL OVERLOAD
 SINGLE PHASE - CAPACITOR START / CAPACITOR RUN
 ROLLED STEEL CONSTRUCTION
 TOTALLY ENCLOSED FAN COOLED**



DIMENSIONS

HP	RPM	Frame	MOUNTING														
			A	B	C	D	G	H	J	E	2E	2F1	2F2	O	P	T	BA
2	1800	56CH	6.5	6.5	13.7	3.5	0.12	0.34	0.81	2.44	4.88	3	5	8	6.8	NA	2.75

FLANGE							Shaft Extension, Key Set					
AH	AJ	AK	BB	BC	BD	BF	U	V	R	S	ES	N-W
2.06	5.875	4.5	0.16	0.19	6.46	4*3/8-16	0.625	NA	0.517	0.188	1.41	1.88

Conduit Box		Bearings		Mount
AA	AB	DE	ODE	
1.1	6	6203-2RZC3	6203-2RZC3	F1

BEARING LUBRICATION: The bearings come lubricated with Mobil Polyrex EM Polyurea Grease.



Electrical Helper.org

For All Your Electric Needs Since 1928
 411 N Platte Ave. York, NE. 68467

**AC-DC MOTORS :: SALES & SERVICE
 REWINDING :: CUSTOM CONTROL PANEL**

Kelly MacMillan
 Office Ph: 888-226-4917
 Fax: 888-226-4917
 Cell: 402-679-1579
 E-Mail: kelly@electricalhelper.com





F56CH2S4C-MO

FARM DUTY ELECTRIC MOTOR
 HIGH STARTING TORQUE - MANUAL OVERLOAD
 SINGLE PHASE - CAPACITOR START / CAPACITOR RUN
 ROLLED STEEL CONSTRUCTION
 TOTALLY ENCLOSED FAN COOLED

PERFORMANCE DATA




HP	RPM	Frame	Voltage	Frequency (Hz)	Full Load S.F.	Insulation Class	NEMA Design	Slip (%)	NEMA Code	Enclosure Type	IP Rating	Max. Ambient
2	1750	56CH	115/208-230	60	1.15	F	L	2.8	H	TEFC	55	40 °C

Amps (230V)		Efficiency (%)			Power Factor			Torque (ft-lb)			DE Bearing	ODE Bearing	Connection	Weight (lbs.)
FLA	LRA	100%	75%	50%	100%	75%	50%	FLT	LRT %	BDT %				
8.08	53.9	83.6	81.6	76.3	0.96	0.96	0.93	6.04	266	229	6203-2RZC3	6203-2RZC3	5 Lead/P1,P2	52

NAME PLATE

APPLICATIONS:

General purpose use on pumps,
 fans,
 conveyors,
 poultry equipment,
 air compressors
 and other farm duty machinery requiring high
 starting torques.

FARM DUTY																																																											
SINGLE PHASE AC ELECTRIC MOTOR																																																											
HIGH STARTING TORQUE																																																											
MANUAL OVERLOAD PROTECTION																																																											
MODEL	F56CH2S4C-MO	HP	2																																																								
FRAME	56CH	ENCL	TEFC	PH	1																																																						
RPM	1750	CODE	H	HZ	60																																																						
DESIGN	L	CLASS	F	S.F.	1.15																																																						
EFFICIENCY	83.6	P.F.	0.96	IP RATING	55																																																						
DE BRG	6203-2RZC3	ODE BRG	6203-2RZC3																																																								
VOLT	115/208-230	LBS	52																																																								
AMPS	16.17/8.94-8.08	DUTY	CONT																																																								
S.F.AMPS	18.5/10.46-9.38	MAX AMB	40 °C																																																								
CONNECTION	5 Lead/P1,P2	SER #																																																									
<table border="0"> <tr> <td colspan="3">115V LOW VOLTAGE</td> <td colspan="3">208-230V HIGH VOLTAGE</td> </tr> <tr> <td>CCW</td> <td>L1</td> <td>CW</td> <td>CCW</td> <td>L1</td> <td>CW</td> </tr> <tr> <td>P1</td> <td>—</td> <td>P1</td> <td>P1</td> <td>—</td> <td>P1</td> </tr> <tr> <td>P2</td> <td>—</td> <td>P2</td> <td>P2</td> <td>—</td> <td>P2</td> </tr> <tr> <td>T3</td> <td>—</td> <td>T3</td> <td>T2</td> <td>—</td> <td>T2</td> </tr> <tr> <td>T8</td> <td>—</td> <td>T5</td> <td>T3</td> <td>—</td> <td>T3</td> </tr> <tr> <td>T2</td> <td>—</td> <td>T2</td> <td>T8</td> <td>—</td> <td>T5</td> </tr> <tr> <td>T4</td> <td>—</td> <td>T4</td> <td>T4</td> <td>—</td> <td>T4</td> </tr> <tr> <td>T5</td> <td>—</td> <td>T8</td> <td>T5</td> <td>—</td> <td>T8</td> </tr> </table>						115V LOW VOLTAGE			208-230V HIGH VOLTAGE			CCW	L1	CW	CCW	L1	CW	P1	—	P1	P1	—	P1	P2	—	P2	P2	—	P2	T3	—	T3	T2	—	T2	T8	—	T5	T3	—	T3	T2	—	T2	T8	—	T5	T4	—	T4	T4	—	T4	T5	—	T8	T5	—	T8
115V LOW VOLTAGE			208-230V HIGH VOLTAGE																																																								
CCW	L1	CW	CCW	L1	CW																																																						
P1	—	P1	P1	—	P1																																																						
P2	—	P2	P2	—	P2																																																						
T3	—	T3	T2	—	T2																																																						
T8	—	T5	T3	—	T3																																																						
T2	—	T2	T8	—	T5																																																						
T4	—	T4	T4	—	T4																																																						
T5	—	T8	T5	—	T8																																																						
Hernando, MS www.naemotors.com   																																																											



Electrical Helper.org

For All Your Electric Needs Since 1928
 411 N Platte Ave. York, NE. 68467

AC-DC MOTORS :: SALES & SERVICE
 REWINDING :: CUSTOM CONTROL PANEL

Kelly MacMillan
 Office Ph: 888-226-4917
 Fax: 888-226-4917
 Cell: 402-679-1579
 E-Mail: kelly@electricalhelper.com

