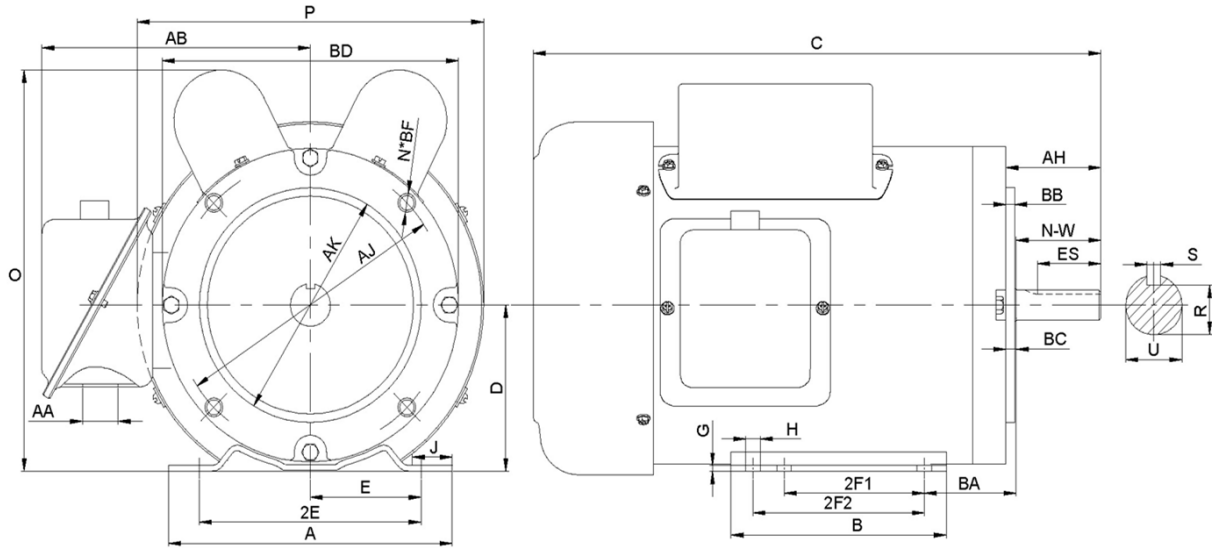


F56CH1.5S4C-MO

FARM DUTY ELECTRIC MOTOR
 HIGH STARTING TORQUE - MANUAL OVERLOAD
 SINGLE PHASE - CAPACITOR START / CAPACITOR RUN
 ROLLED STEEL CONSTRUCTION
 TOTALLY ENCLOSED FAN COOLED



DIMENSIONS

HP	RPM	Frame	MOUNTING														
			A	B	C	D	G	H	J	E	2E	2F1	2F2	O	P	T	BA
1.5	1800	56CH	6.5	6.5	14.57	3.5	0.12	0.34	1.06	2.44	4.88	3	5	8.46	7.01	NA	2.75

FLANGE							Shaft Extension, Key Set					
AH	AJ	AK	BB	BC	BD	BF	U	V	R	S	ES	N-W
2.06	5.875	4.5	0.16	0.19	6.5	4*3/8-16	0.625	1.5	0.517	0.188	1.41	1.88

Conduit Box		Bearings		Mount
AA	AB	DE	ODE	
0.81	6.18	6203-2RZC3	6203-2RZC3	

BEARING LUBRICATION: The bearings come lubricated with Mobile Polyrex EM Polyurea Grease.

ISO9001
CERTIFIED



ElectricalHelper

"Practical Straight Forward Electrical Wiring Solutions Since 1928."

For Fast Friendly Assistance
 Call Us 888.226.4917
 Hours 8:00AM - 5:00PM



F56CH1.5S4C-MO

FARM DUTY ELECTRIC MOTOR
HIGH STARTING TORQUE - MANUAL OVERLOAD
SINGLE PHASE - CAPACITOR START / CAPACITOR RUN
ROLLED STEEL CONSTRUCTION
TOTALLY ENCLOSED FAN COOLED

PERFORMANCE DATA

HP	RPM	Frame	Voltage	Frequency (Hz)	Full Load S.F.	Insulation Class	NEMA Design	Slip (%)	NEMA Code	Enclosure Type	IP Rating	Max. Ambient
1.5	1750	56CH	115/208-230V	60	1.15	F	L	2.8	J	TEFC	IP44	40°C

Amps (230V)		Efficiency (%)			Power Factor			Torque (ft-lb)			DE Bearing	ODE Bearing	Connection	Weight (lbs.)
FLA	LRA	100%	75%	50%	100%	75%	50%	FLT	LRT %	BDT %				
6.66	50.6	78.2	71.5	63.2	0.93	0.91	0.88	6.08	249	243	6203-2RZC3	6203-2RZC3	5 Lead/P1,P2	43

NAME PLATE

		FARM DUTY HIGH STARTING TORQUE MANUAL OVERLOAD SINGLE PHASE ELECTRIC MOTOR	
MODEL	F56CH1.5S4C-MO	HP	1.5
FRAME	56CH	ENCL	TEFC
RPM	1750	CODE	J
DESIGN	L	CLASS	F
DE BRG	6203-2RZC3	ODE BRG	6203-2RZC3
VOLT	115/208-230V	LBS	43
AMPS	13.63/7.09-6.66	DUTY	CONT
S.F. AMPS	15.4/8.3-7.5	MAX AMB	40°C
SERIAL NUMBER			
115V LOW VOLTAGE CCW (P1) — L1 — (P2) (T3) — (T2) — (T4) — L2 — (T5)		208-230V HIGH VOLTAGE CCW (P1) — L1 — (P2) (T3) — (T2) — (T4) — L2 — (T5)	
Hernando, MS www.naemotors.com			



ElectricalHelper

"Practical Straight Forward Electrical Wiring Solutions Since 1928."

For Fast Friendly Assistance
 Call Us 888.226.4917
 Hours 8:00AM - 5:00PM