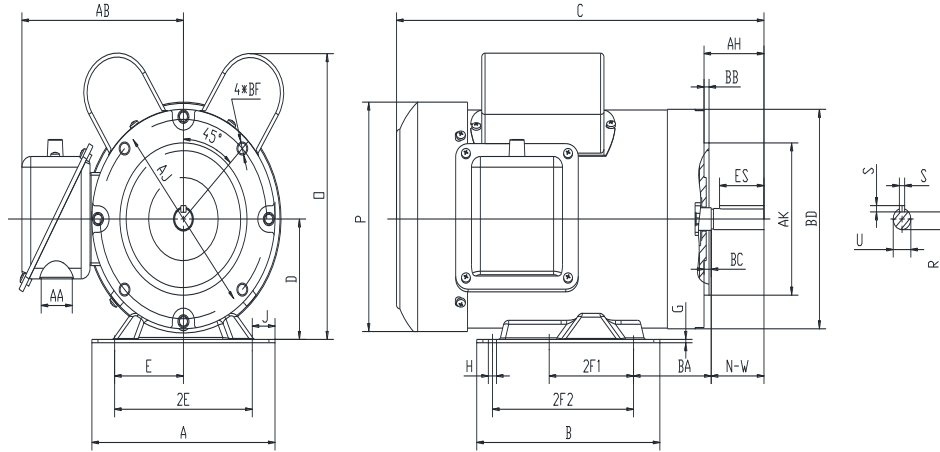




**F56C1S4C-MO**

FARM DUTY ELECTRIC MOTOR  
 HIGH STARTING TORQUE - MANUAL OVERLOAD  
 SINGLE PHASE - CAPACITOR START / CAPACITOR RUN  
 ROLLED STEEL CONSTRUCTION  
 TOTALLY ENCLOSED FAN COOLED



**DIMENSIONS**

HP	RPM	Frame	MOUNTING														
			A	B	C	D	G	H	J	E	2E	2F1	2F2	O	P	T	BA
1	1800	56C	6.3	4	11.5	3.5	0.12	0.34	0.71	2.44	4.88	3	NA	8	6.8	NA	2.75

FLANGE							Shaft Extension, Key Set					
AH	AJ	AK	BB	BC	BD	BF	U	V	R	S	ES	N-W
2.06	5.875	4.5	0.16	0.19	6.46	4*3/8-16	0.625	NA	0.517	0.188	1.41	1.88

Conduit Box		Bearings		Mount
AA	AB	DE	ODE	
1.1	6	6203-2RZC3	6203-2RZC3	F1

**BEARING LUBRICATION:** The bearings come lubricated with Mobil Polyrex EM Polyurea Grease.



**Electrical Helper.org**

For All Your Electric Needs Since 1928  
 411 N Platte Ave. York, NE. 68467

**AC-DC MOTORS :: SALES & SERVICE  
 REWINDING :: CUSTOM CONTROL PANEL**

Kelly MacMillan  
 Office Ph: 888-226-4917  
 Fax: 888-226-4917  
 Cell: 402-679-1579  
 E-Mail: [kelly@electricalhelper.com](mailto:kelly@electricalhelper.com)





## F56C1S4C-MO

FARM DUTY ELECTRIC MOTOR  
 HIGH STARTING TORQUE - MANUAL OVERLOAD  
 SINGLE PHASE - CAPACITOR START / CAPACITOR RUN  
 ROLLED STEEL CONSTRUCTION  
 TOTALLY ENCLOSED FAN COOLED

### PERFORMANCE DATA

HP	RPM	Frame	Voltage	Frequency (Hz)	Full Load S.F.	Insulation Class	NEMA Design	Slip (%)	NEMA Code	Enclosure Type	IP Rating	Max. Ambient
1	1760	56C	115/208-230	60	1.15	F	L	2.2	K	TEFC	55	40 °C

Amps (230V)		Efficiency (%)			Power Factor			Torque (ft-lb)			DE Bearing	ODE Bearing	Connection	Weight (lbs.)
FLA	LRA	100%	75%	50%	100%	75%	50%	FLT	LRT %	BDT %				
4.54	34.8	77.6	72.3	64.4	0.92	0.89	0.83	3	302	302	6203-2RZC3	6203-2RZC3	5 Lead/P1,P2	36

### NAME PLATE

FARM DUTY SINGLE PHASE AC ELECTRIC MOTOR HIGH STARTING TORQUE MANUAL OVERLOAD PROTECTION			
MODEL	F56C1S4C-MO	HP	1
FRAME	56C	ENCL	TEFC PH 1
RPM	1760	CODE	K HZ 60
DESIGN	L	CLASS	F S.F. 1.15
EFFICIENCY	77.6	P.F.	0.92 IP RATING 55
DE BRG	6203-2RZC3	ODE BRG	6203-2RZC3
VOLT	115/208-230	LBS	36
AMPS	9.09/5.02-4.54	DUTY	CONT
S.F.AMPS	10.04/5.5-5.14	MAX AMB	40 °C
CONNECTION	5 Lead/P1,P2	SER #	
Hernando, MS w.naemotors.com			



**Electrical Helper.org**  
 For All Your Electric Needs Since 1928  
 411 N Platte Ave. York, NE. 68467

AC-DC MOTORS :: SALES & SERVICE  
 REWINDING :: CUSTOM CONTROL PANEL

Kelly MacMillan  
 Office Ph: 888-226-4917  
 Fax: 888-226-4917  
 Cell: 402-679-1579  
 E-Mail: [kelly@electricalhelper.com](mailto:kelly@electricalhelper.com)

