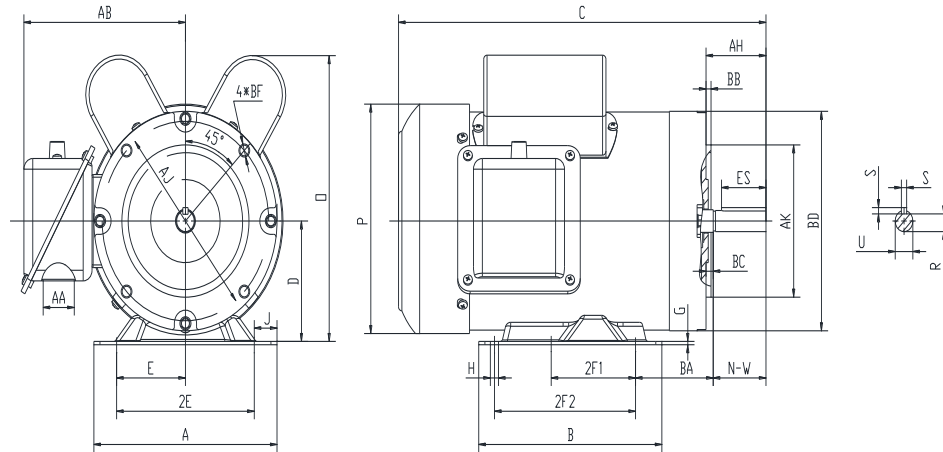




F56C1/2S4C-MO

FARM DUTY ELECTRIC MOTOR
 HIGH STARTING TORQUE - MANUAL OVERLOAD
 SINGLE PHASE - CAPACITOR START / CAPACITOR RUN
 ROLLED STEEL CONSTRUCTION
 TOTALLY ENCLOSED FAN COOLED



DIMENSIONS

| HP | RPM | Frame | MOUNTING | | | | | | | | | | | | | | |
|-----|------|-------|----------|---|------|-----|------|------|------|------|------|-----|-----|---|-----|----|------|
| | | | A | B | C | D | G | H | J | E | 2E | 2F1 | 2F2 | O | P | T | BA |
| 1/2 | 1800 | 56C | 6.3 | 4 | 10.7 | 3.5 | 0.12 | 0.34 | 0.71 | 2.44 | 4.88 | 3 | NA | 8 | 6.8 | NA | 2.75 |

| FLANGE | | | | | | | Shaft Extension, Key Set | | | | | |
|--------|-------|-----|------|------|------|----------|--------------------------|----|-------|-------|------|------|
| AH | AJ | AK | BB | BC | BD | BF | U | V | R | S | ES | N-W |
| 2.06 | 5.875 | 4.5 | 0.16 | 0.19 | 6.46 | 4*3/8-16 | 0.625 | NA | 0.517 | 0.188 | 1.41 | 1.88 |

| Conduit Box | | Bearings | | Mount |
|-------------|----|------------|------------|-------|
| AA | AB | DE | ODE | |
| 1.1 | 6 | 6203-2RZC3 | 6203-2RZC3 | |

BEARING LUBRICATION: The bearings come lubricated with Mobil Polyrex EM Polyurea Grease.



Electrical Helper.org

For All Your Electric Needs Since 1928
 411 N Platte Ave. York, NE. 68467

**AC-DC MOTORS :: SALES & SERVICE
 REWINDING :: CUSTOM CONTROL PANEL**

Kelly MacMillan
 Office Ph: 888-226-4917
 Fax: 888-226-4917
 Cell: 402-679-1579
 E-Mail: kelly@electricalhelper.com





F56C1/2S4C-MO

FARM DUTY ELECTRIC MOTOR
 HIGH STARTING TORQUE - MANUAL OVERLOAD
 SINGLE PHASE - CAPACITOR START / CAPACITOR RUN
 ROLLED STEEL CONSTRUCTION
 TOTALLY ENCLOSED FAN COOLED

PERFORMANCE DATA

| HP | RPM | Frame | Voltage | Frequency (Hz) | Full Load S.F. | Insulation Class | NEMA Design | Slip (%) | NEMA Code | Enclosure Type | IP Rating | Max. Ambient |
|-----|------|-------|-------------|----------------|----------------|------------------|-------------|----------|-----------|----------------|-----------|--------------|
| 1/2 | 1765 | 56C | 115/208-230 | 60 | 1.15 | F | L | 1.9 | M | TEFC | 55 | 40 °C |

| Amps (230V) | | Efficiency (%) | | | Power Factor | | | Torque (ft-lb) | | | DE Bearing | ODE Bearing | Connection | Weight (lbs.) |
|-------------|------|----------------|------|------|--------------|------|------|----------------|-------|-------|------------|-------------|--------------|---------------|
| FLA | LRA | 100% | 75% | 50% | 100% | 75% | 50% | FLT | LRT % | BDT % | | | | |
| 2.85 | 21.1 | 71.1 | 65.8 | 56.3 | 0.80 | 0.73 | 0.63 | 1.5 | 320 | 335 | 6203-2RZC3 | 6203-2RZC3 | 5 Lead/P1,P2 | 28 |

NAME PLATE

| FARM DUTY SINGLE PHASE AC ELECTRIC MOTOR HIGH STARTING TORQUE MANUAL OVERLOAD PROTECTION | | | |
|---|----------------|---------|------------|
| MODEL | F56C1/2S4C-MO | HP | 1/2 |
| FRAME | 56C | ENCL | TEFC |
| RPM | 1765 | CODE | M |
| DESIGN | L | CLASS | F |
| EFFICIENCY | 71.1 | P.F. | 0.80 |
| DE BRG | 6203-2RZC3 | ODE BRG | 6203-2RZC3 |
| VOLT | 115/208-230 | LBS | 28 |
| AMPS | 5.7/3.15-2.85 | DUTY | CONT |
| S.F.AMPS | 6.02/3.02-3.11 | MAX AMB | 40 °C |
| CONNECTION | 5 Lead/P1,P2 | SER # | |
| | | | |
| Hernando, MS w.naemotors.com | | | |
| | | | |



Electrical Helper.org

For All Your Electric Needs Since 1928
 411 N Platte Ave. York, NE. 68467

AC-DC MOTORS :: SALES & SERVICE
 REWINDING :: CUSTOM CONTROL PANEL

Kelly MacMillan
 Office Ph: 888-226-4917
 Fax: 888-226-4917
 Cell: 402-679-1579
 E-Mail: kelly@electricalhelper.com

